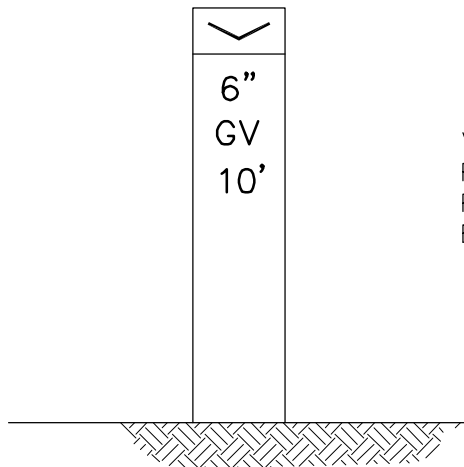


BLOW-OFF MARKER POST WILL BE REQUIRED UNLESS BLOW-OFF IS IN PAVEMENT.


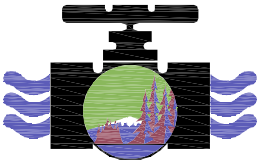
BLOW-OFF ASSEMBLY MARKER POST



VALVE MARKER POST WILL BE REQUIRED UNLESS VALVE IS IN PAVEMENT AND TOP OF VALVE BOX IS AT FINISHED GRADE.

VALVE MARKER POST

NOTE: MARKERS SHALL BE TRIVIEW FLEX 66 BLUE, NO. P69254, WITH WARNING LABEL FOR VALVE SIZE AND DISTANCE TO VALVE, IN FEET AND INCHES. LETTER SHALL BE 2" HIGH. MARKERS SHALL BE PLACED AS DIRECTED BY THE ENGINEER. MARKERS SHALL BE SET TO LEAVE 18" EXPOSED ABOVE GRADE.

 Stantec 11130 NE 33rd Place, Bellevue WA 98004 phone: (425) 869-9448	VALVE MARKER POST				 WATER DISTRICT NO.90	
	PLOTTING DATE JAN 2016	DRAWN	CHECKED	APPROVED		DATE APPROVED
	SCALE NTS	FILE NAME R: \cad\detail\autocad\WD90\WATER\7_valve_marker_post.dwg				
				DWG. NO.	7	