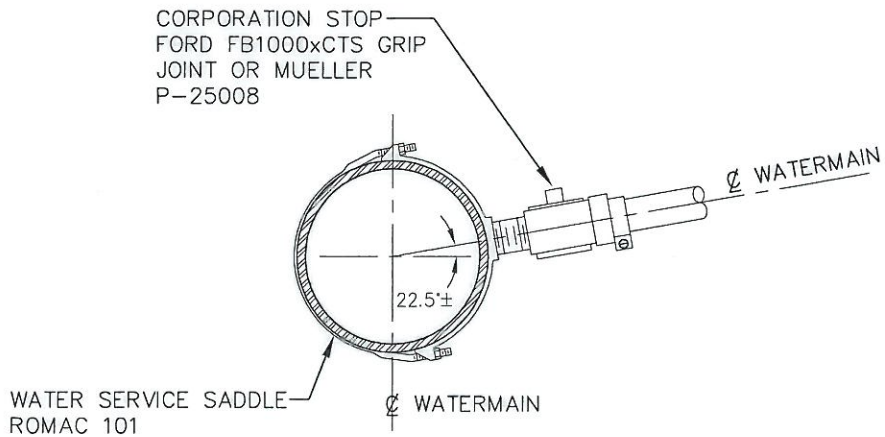


ROADWAY WITH DITCHES

ROADWAY WITH CURB & GUTTER



NOTE: COPPER LINE BETWEEN CORP STOP & ANGLE STOP SHALL BE ONE PIECE (NO FITTINGS)



Engineering Partners, LLC
 2600 116th Avenue NE #100
 Bellevue, Washington 98004
 Tel 425.869.9448

SERVICE SADDLE, CORP STOP
 AND SERVICE LINE
 TYPICAL ROADWAY SECTION



WATER DISTRICT NO.90

PLOTTING DATE DEC. 2006	DRAWN DSH	CHECKED JSD	APPROVED JSD	DISTRICT 701 12.5.06
PLOTTING SCALE NTS: 1=1	FILE NAME F:\DETAILS\WD90\WATER\0002	DATE APPROVED 12-5-06		

DWG. NO. 2