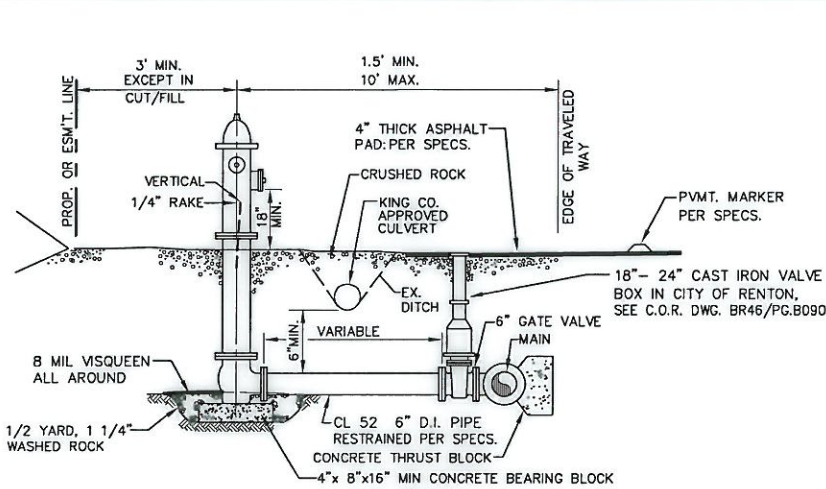
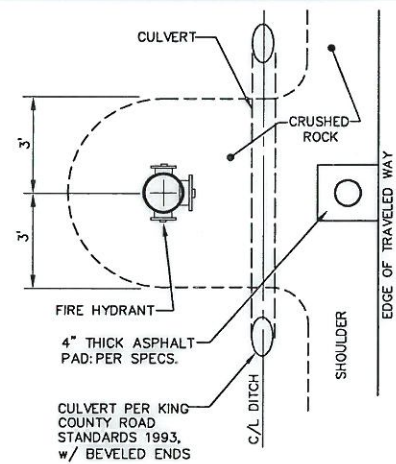


FIRE HYDRANT ASSEMBLY RESIDENTIAL VERTICAL/ROLLED CURB

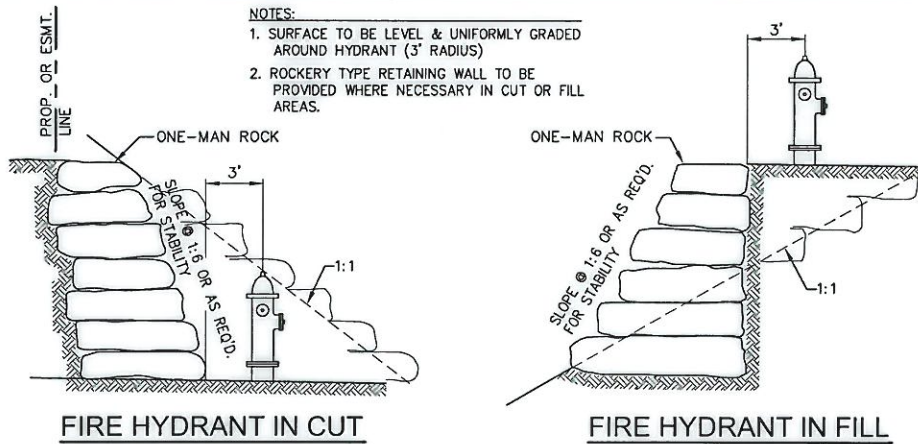


FIRE HYDRANT ASSEMBLY



PLAN VIEW

FIRE HYDRANT ASSEMBLY GRAVEL SHOULDER



FIRE HYDRANT IN CUT

FIRE HYDRANT IN FILL

FIRE HYDRANT LOCATION CUT OR FILL

- NOTES:**
1. SURFACE TO BE LEVEL & UNIFORMLY GRADED AROUND HYDRANT (3' RADIUS)
 2. ROCKERY TYPE RETAINING WALL TO BE PROVIDED WHERE NECESSARY IN CUT OR FILL AREAS.



Engineering Partners, LLC

2600 116th Avenue NE #100
Bellevue, Washington 98004
Tel 425.869.9448

FIRE HYDRANT ASSEMBLY

PLOTTING DATE JAN. 2005	DRAWN DSH	CHECKED KRG	APPROVED <i>[Signature]</i>	DISTRICT T.N.H.
PLOTTING SCALE NTS: 1=1	FILE NAME F:\DETAILS\WD90\WATER\0004	DATE APPROVED 7-9-02		



WATER DISTRICT NO.90

DWG. NO. 4