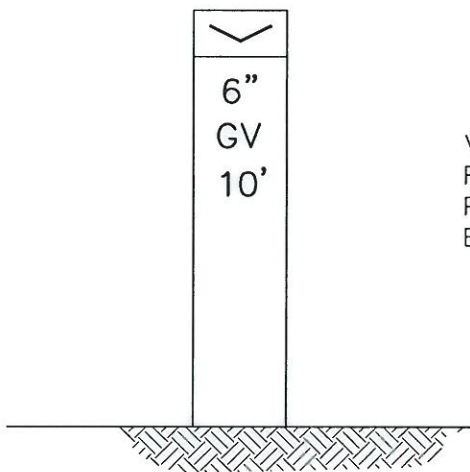


BLOW-OFF MARKER POST WILL BE REQUIRED UNLESS BLOW-OFF IS IN PAVEMENT.

BLOW-OFF ASSEMBLY MARKER POST



VALVE MARKER POST WILL BE REQUIRED UNLESS VALVE IS IN PAVEMENT AND TOP OF VALVE BOX IS AT FINISHED GRADE.

VALVE MARKER POST

NOTE: MARKER POST PAINTED WITH 2 TOP COATS OF FARWEST PAINT CASE YELLOW PN #X3472. LETTERS SHALL BE 2" HIGH AND STENCILED IN BLACK PAINT.



Engineering Partners, LLC

2600 116th Avenue NE #100
Bellevue, Washington 98004
Tel 425.869.9448

MARKER POST

PLOTTING DATE JAN. 2005	DRAWN DSH	CHECKED KRG	APPROVED <i>OSF</i>	DISTRICT <i>T.N.H.</i>
PLOTTING SCALE NTS: 1=1	FILE NAME F:\DETAILS\WD90\WATER\0007		DATE APPROVED 5-23-02	



WATER DISTRICT NO.90

DWG. NO.

7