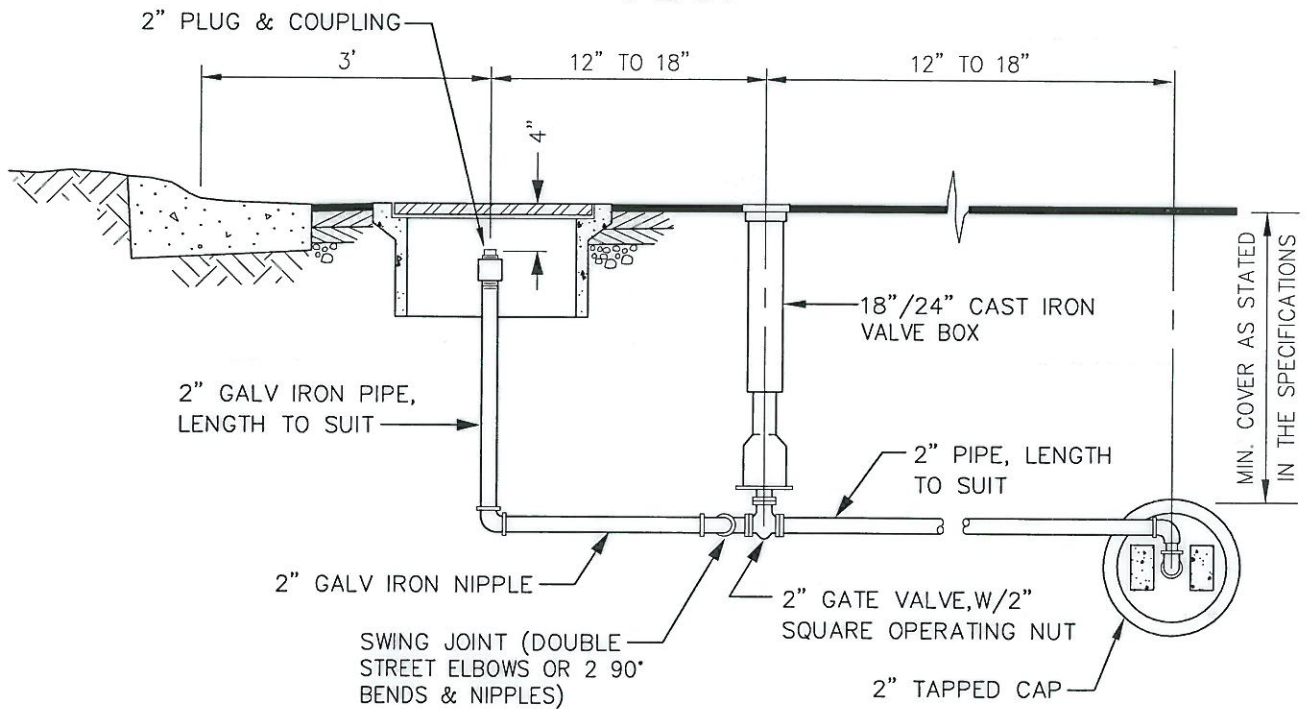


PLAN



ELEVATION

NOTES:

1. LOCATE BLOWOFF ASSEMBLY AS CLOSE AS POSSIBLE TO MAIN.
2. ALL PIPE AND FITTINGS BETWEEN MAIN & GATE VALVE SHALL BE WATERWORKS BRASS.



Engineering Partners, LLC

2600 116th Avenue NE #100
Bellevue, Washington 98004
Tel 425.869.9448

**2" BLOWOFF ASSEMBLY
FOR 6" AND SMALLER MAINS
(IN PAVING)**

PLOTTING DATE JAN. 2005	DRAWN DSH	CHECKED KRG	APPROVED <i>JSF</i>	DISTRICT T.N.H.
PLOTTING SCALE NTS: 1=1	FILE NAME F:\DETAILS\WD90\WATER\0008	DATE APPROVED 5-23-02		



WATER DISTRICT NO.90

DWG. NO. 8