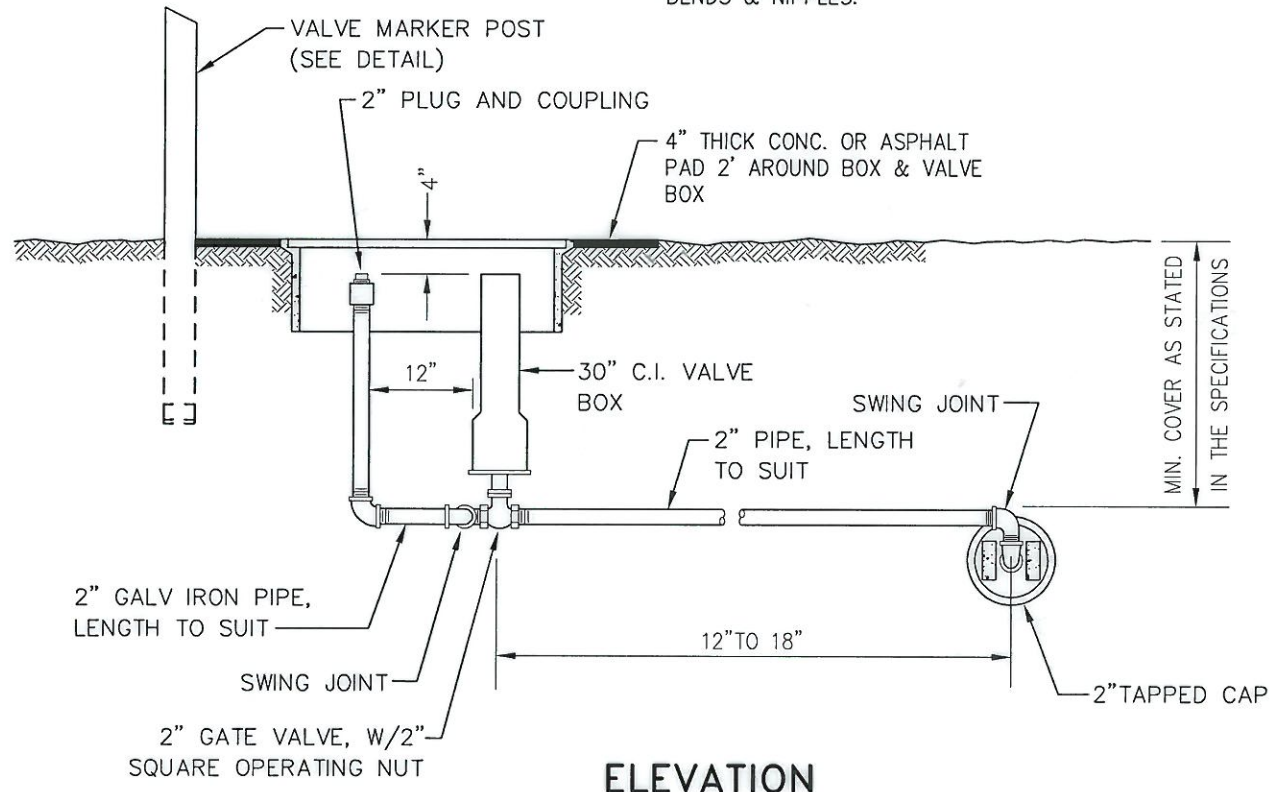


METER BOX, FOG TITE NO. J20S WITH HINGED, SPRING LOADED LATCH IN LID OR EQUAL. LOCATE IN PAVING, COVER TO BE REINFORCED FOR H-20 LOADING, AND MARKED "BLOWOFF"

PLAN

NOTES:

1. LOCATE BLOW-OFF AS CLOSE AS POSSIBLE TO MAIN.
2. ALL PIPE & FITTINGS BETWEEN MAIN & GATE VALVE SHALL BE WATERWORKS BRASS CONFORMING TO AWWA C800.
3. THE GROUND WITHIN 3' RADIUS OF BLOW-OFF SHALL BE GRADED UNIFORMLY.
4. SWING JOINTS SHALL BE DOUBLE STREET ELBOWS OR 2 90° BENDS & NIPPLES.



ELEVATION

RothHill
 Engineering Partners, LLC
 2600 116th Avenue NE #100
 Bellevue, Washington 98004
 Tel 425.869.9448

2" BLOWOFF ASSEMBLY FOR 6" & SMALLER MAINS (OFF PAVING)

PLOTTING DATE JAN. 2005	DRAWN DSH	CHECKED KRG	APPROVED <i>[Signature]</i>	DISTRICT T.N.H.
PLOTTING SCALE NTS: 1=1	FILE NAME F:\DETAILS\WD90\WATER\0009	DATE APPROVED 6-25-02		

WATER DISTRICT NO.90
DWG. NO. 9