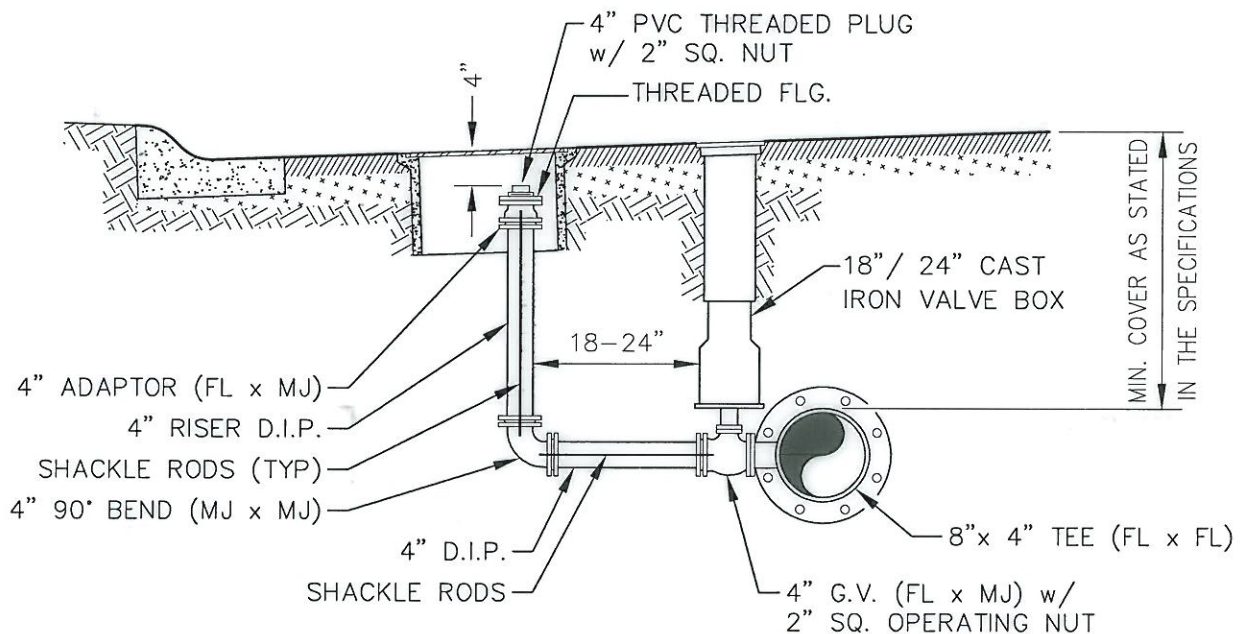


**PLAN**



**ELEVATION**

NOTES:

1. LOCATE BLOW-OFF AS CLOSE AS POSSIBLE TO MAIN, OR AS DIRECTED BY DISTRICT.
2. SHACKLE RODS TWO EA. 3/4" GALV. STEEL TIE RODS WITH ONE HEAVY COAT OF COAL TAR PRESERVATIVE ON TIE RODS, NUTS AND BOLTS AFTER INSTALLATION OR MEG-A-LUGS.
3. MARKING POST NOT NEEDED.



Engineering Partners, LLC

2600 116th Avenue NE #100  
 Bellevue, Washington 98004  
 Tel 425.869.9448

**4" BLOWOFF ASSY. FOR 8"  
 & LARGER MAINS (IN PAVING)**

PLOTTING DATE JAN. 2005	DRAWN DSH	CHECKED KRG	APPROVED <i>[Signature]</i>	DISTRICT T.N.K.
PLOTTING SCALE NTS: 1=1	FILE NAME F:\DETAILS\WD90\WATER\0010	DATE APPROVED 6-25-02		



WATER DISTRICT NO.90

DWG. NO. 10-1