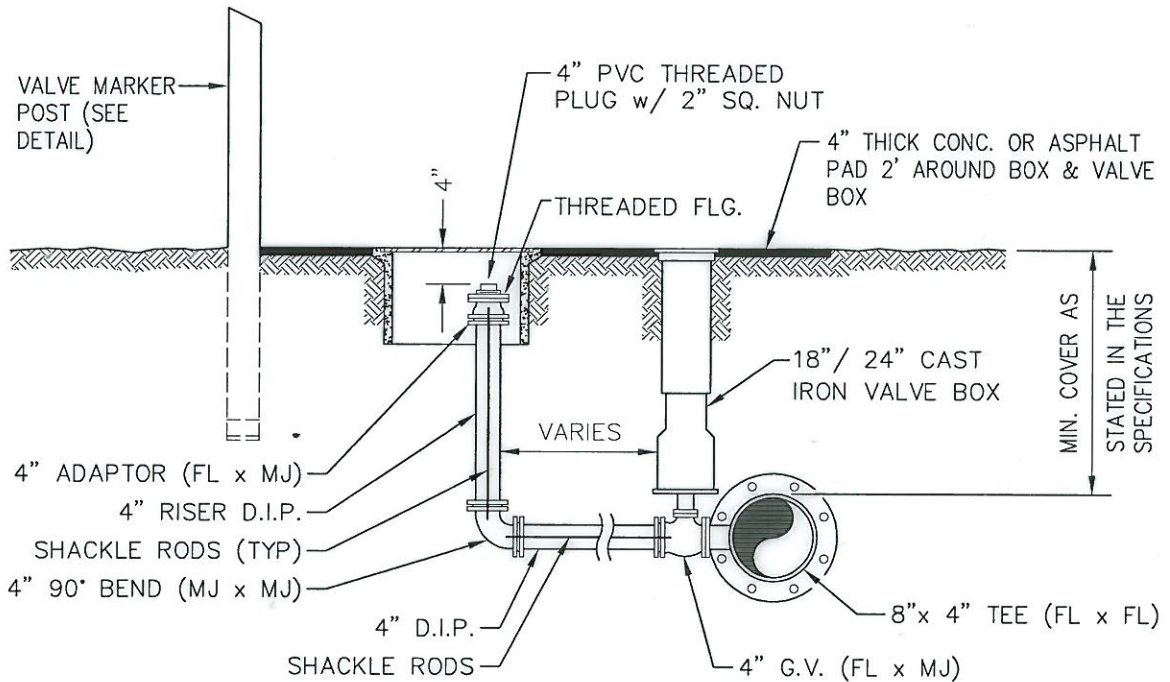


PLAN



ELEVATION

NOTES:

1. LOCATE BLOW-OFF AS CLOSE AS POSSIBLE TO MAIN, OR AS DIRECTED BY DISTRICT.
2. THE GROUND WITHIN 3' RADIUS OF BLOWOFF SHALL BE GRADED UNIFORMLY.
3. SHACKLE RODS TWO EA. 3/4" GALV. STEEL TIE RODS WITH ONE HEAVY COAT OF COAL TAR PRESERVATIVE ON TIE RODS, NUTS AND BOLTS AFTER INSTALLATION. OR MEG-A-LUGS



Engineering Partners, LLC

2600 116th Avenue NE #100
Bellevue, Washington 98004
Tel 425.869.9448

4" BLOWOFF ASSY. FOR 8" & LARGER MAINS (OFF PAVING)

PLOTTING DATE JAN. 2005	DRAWN DSH	CHECKED KRG	APPROVED <i>[Signature]</i>	DISTRICT T.N.H.
PLOTTING SCALE NTS: 1=1	FILE NAME F:\DETAILS\WD90\WATER\0011	DATE APPROVED 5-23-02		



WATER DISTRICT NO.90

DWG. NO. 11-1