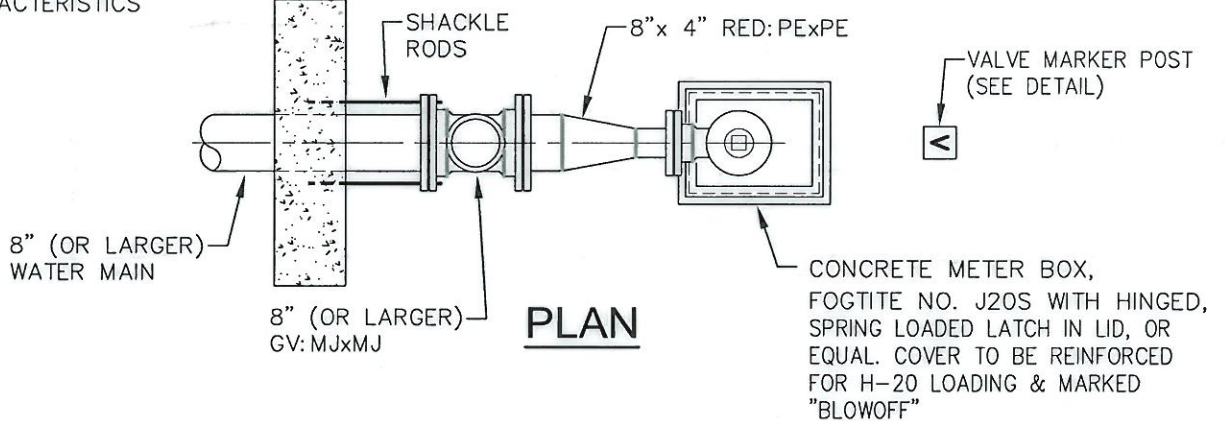
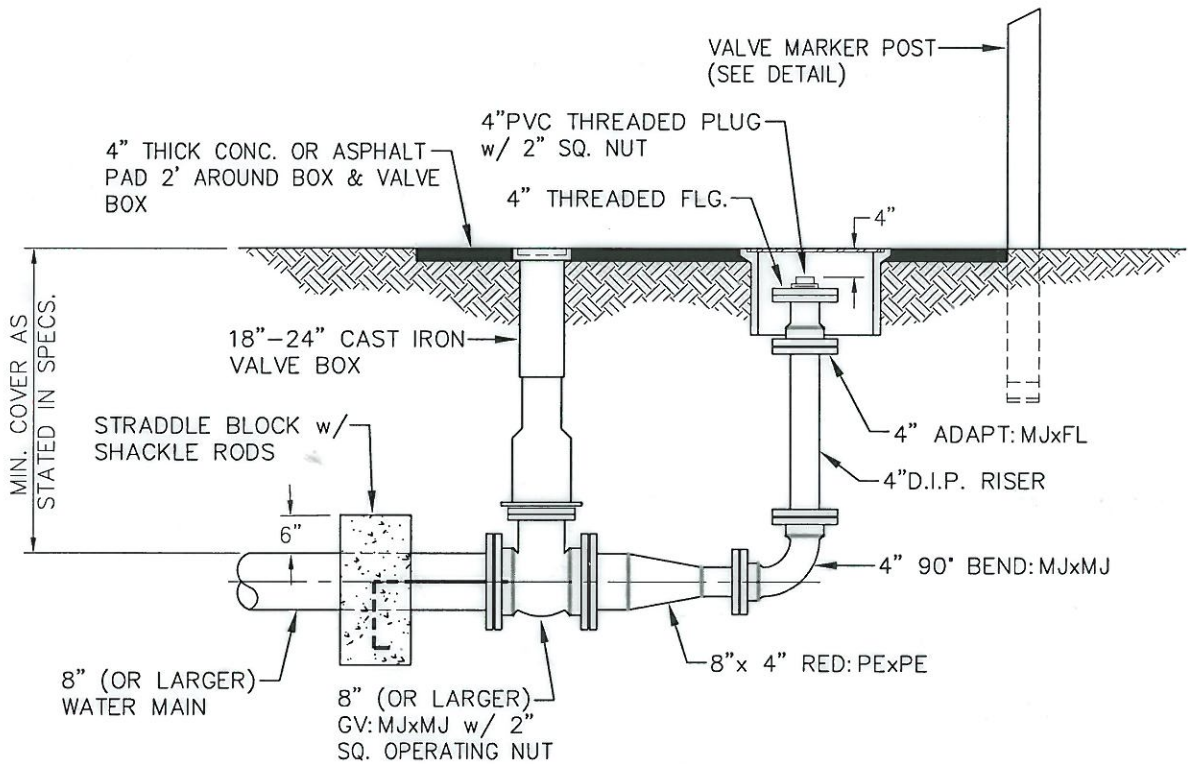


CONCRETE STRADDLE BLOCK  
w/ SHACKLE RODS TO G.V.  
BLOCKING SHALL BE POURED  
AGAINST UNDISTURBED EARTH  
& SIZED BASED ON PRESSURE  
OF WATER MAIN & SOIL  
CHARACTERISTICS



**PLAN**



**ELEVATION**

**NOTES**

1. SHACKLE RODS: TWO EA. 3/4" GALV. STEEL TIE RODS w/ ONE HEAVY COAT OF COAL TAR PRESERVATIVE ON TIE RODS, NUTS & BOLTS AFTER INSTALLATION.
2. MEGA-LUGS REQUIRED ON ALL MJ FITTINGS.
3. SIZE & USE ADDITIONAL REDUCERS AS NECESSARY FOR MAINS LARGER THAN 8".
4. THE GROUND WITHIN 3' RADIUS OF BLOWOFF SHALL BE GRADED UNIFORMLY.



Engineering Partners, LLC

2600 116th Avenue NE #100  
Bellevue, Washington 98004  
Tel 425.869.9448

**4" BLOWOFF ASSY. FOR 8" OR LARGER  
MAINS FOR FUTURE EXTENSION  
(OFF PAVING)**

PLOTTING DATE JAN. 2005	DRAWN DSH	CHECKED KRG	APPROVED <i>[Signature]</i>	DISTRICT T.N.H.
PLOTTING SCALE NTS: 1=1	FILE NAME F:\DETAILS\WD90\WATER\0011A	DATE APPROVED 6-25-02		



WATER DISTRICT NO.90

DWG. NO. 11-2