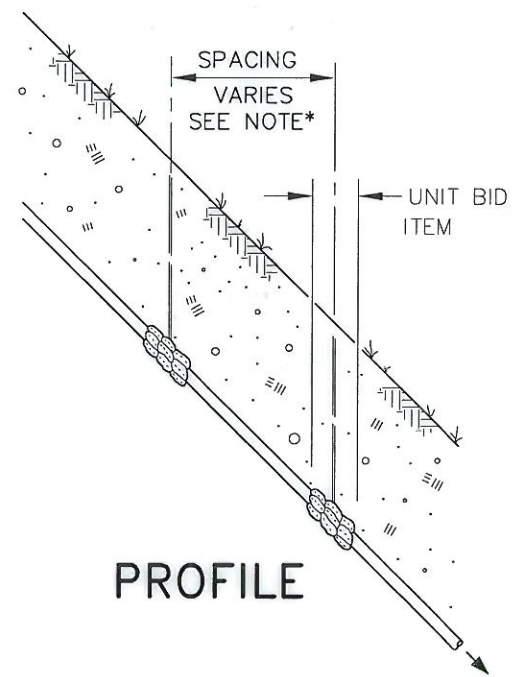
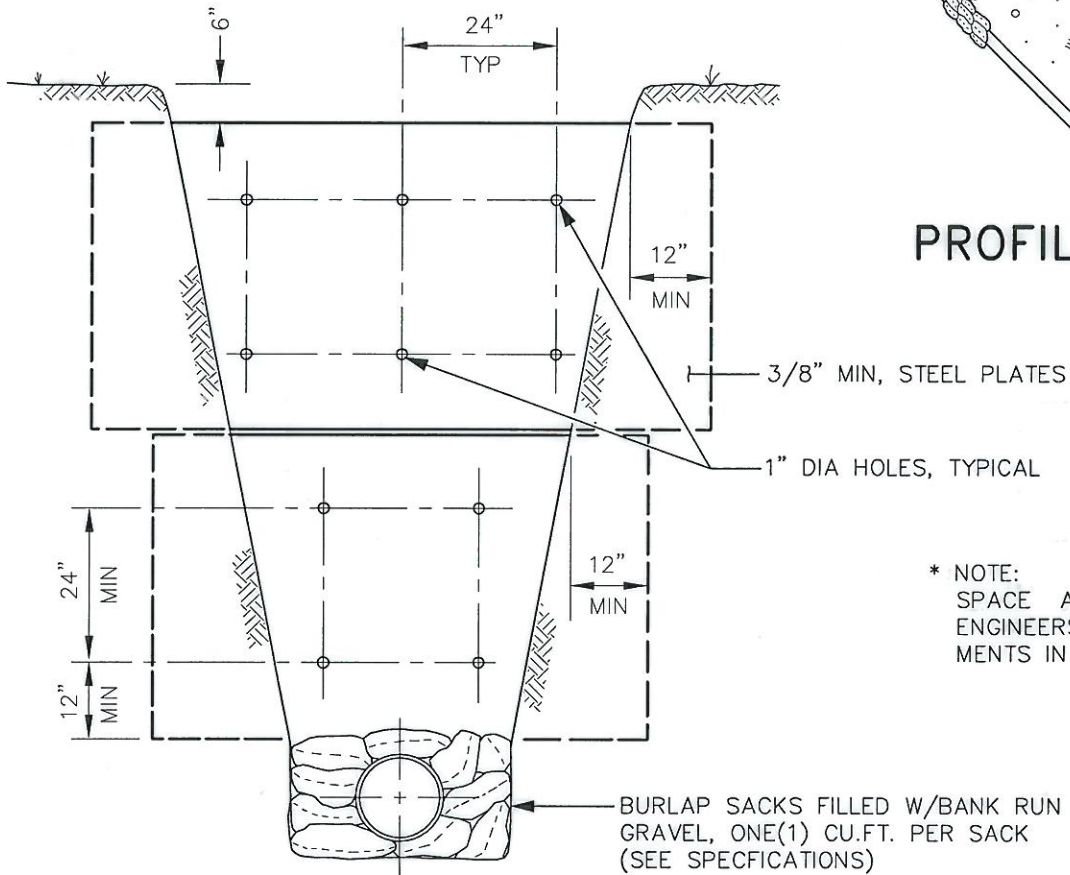


PLAN



PROFILE



SECTION

* NOTE:
SPACE ACCORDING TO
ENGINEERS REQUIRE-
MENTS IN THE FIELD.



Engineering Partners, LLC

2600 116th Avenue NE #100
Bellevue, Washington 98004
Tel 425.869.9448

STEEL SLOPE RETAINER



WATER DISTRICT NO.90

PLOTTING DATE JAN. 2005	DRAWN DSH	CHECKED KRG	APPROVED <i>T.N.H.</i>	DISTRICT T.N.H.
PLOTTING SCALE NTS: 1=1	FILE NAME F:\DETAILS\WD90\WATER\0013	DATE APPROVED 6-25-02		

DWG. NO. 13