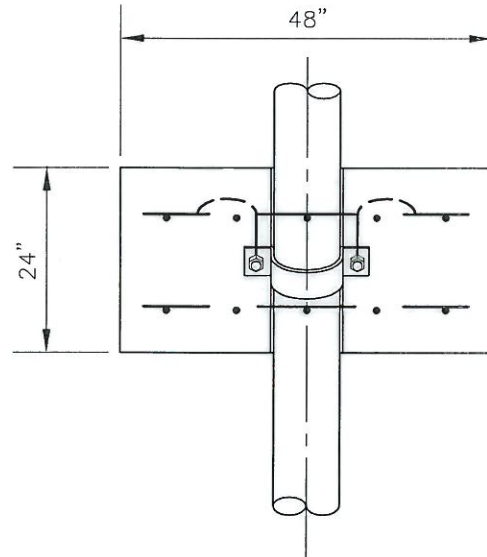


NOTES:

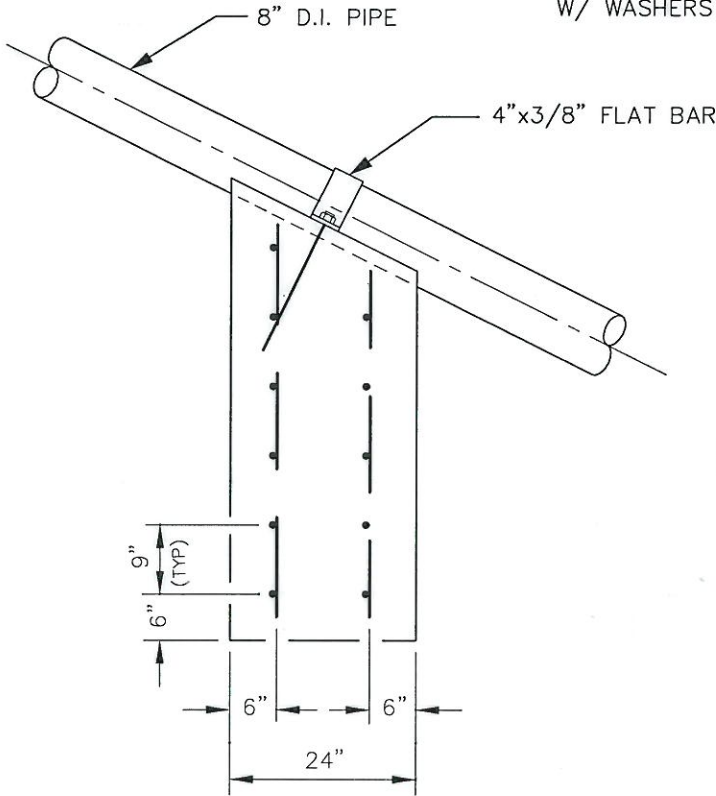
SLOPE TOP SURFACE OF PIPE ANCHOR TO MATCH PIPE SLOPE.

INSTALL J - BOLTS AT RIGHT ANGLES TO TOP SURFACE OF ANCHOR FOR MAXIMUM CONTACT BETWEEN PIPE AND STRAP.

BOLTS, NUTS AND FLAT BAR TO BE HOT-DIPPED GALVANIZED.

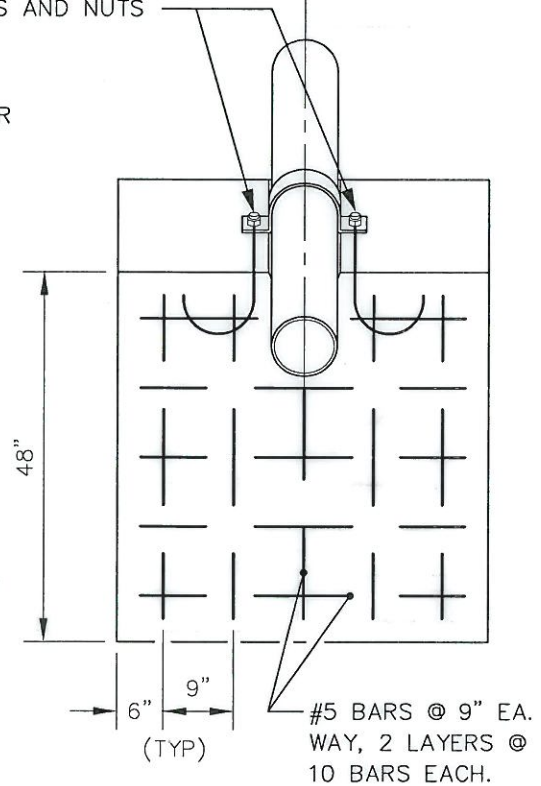


PLAN



END VIEW

2 1-1/4" x 24" J-BOLTS  
W/ WASHERS AND NUTS



ELEVATION



Engineering Partners, LLC

2600 116th Avenue NE #100  
Bellevue, Washington 98004  
Tel 425.869.9448

CONCRETE PIPE ANCHOR

PLOTTING DATE JAN. 2005	DRAWN DSH	CHECKED KRG	APPROVED <i>[Signature]</i>	DISTRICT TNH
PLOTTING SCALE NTS: 1=1	FILE NAME F:\DETAILS\WD90\WATER\0014	DATE APPROVED 6-25-02		



WATER DISTRICT NO.90

DWG. NO. 14