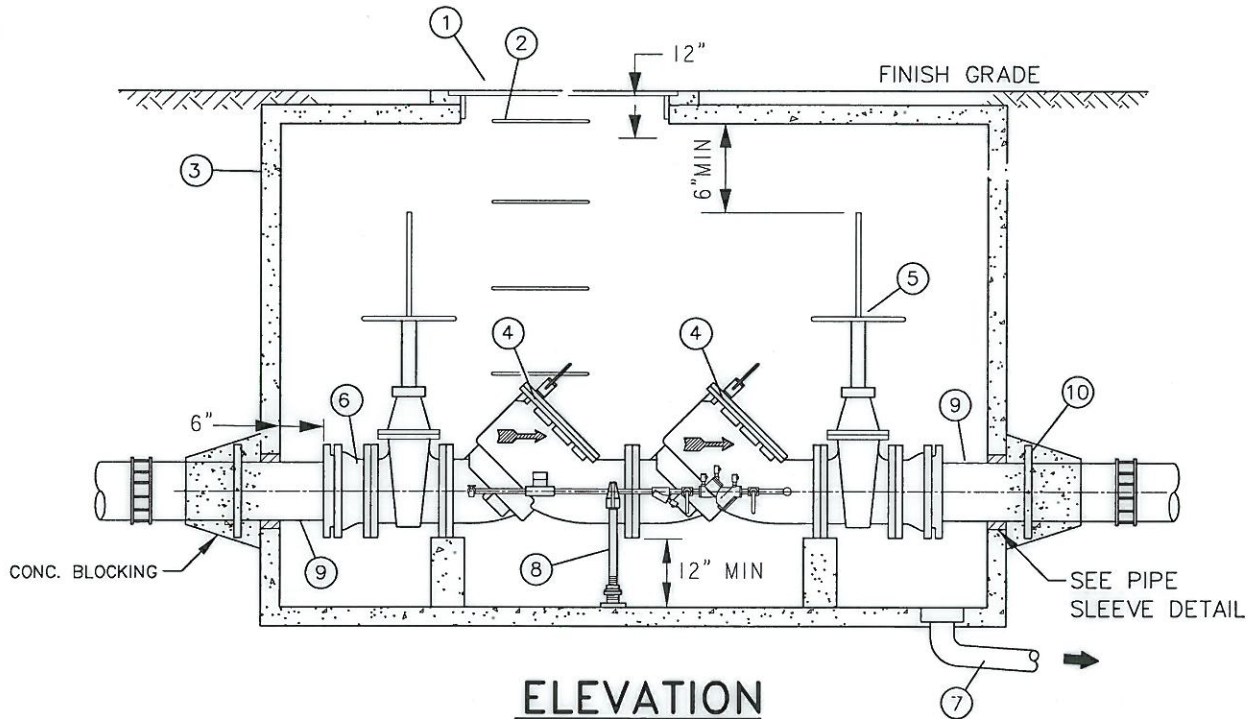
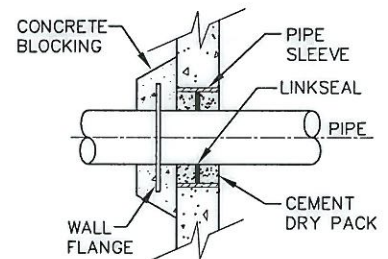


PLAN



ELEVATION



PIPE SLEEVE DETAIL

* SEE SHEET 2 FOR ADDITIONAL NOTES & MATERIALS

SHEET 1 OF 2



Engineering Partners, LLC

2600 116th Avenue NE #100
Bellevue, Washington 98004
Tel 425.869.9448

DBL. DETECTOR CHECK VALVE BACKFLOW PREVENTION ASSY.

PLOTTING DATE JAN. 2005	DRAWN DSH	CHECKED KRG	APPROVED <i>[Signature]</i>	DISTRICT I.N.H.
PLOTTING SCALE NTS: 1=1	FILE NAME F:\DETAILS\WD90\WATER\0020-1	DATE APPROVED 6-25-02		



WATER DISTRICT NO.90

DWG. NO. 20-1