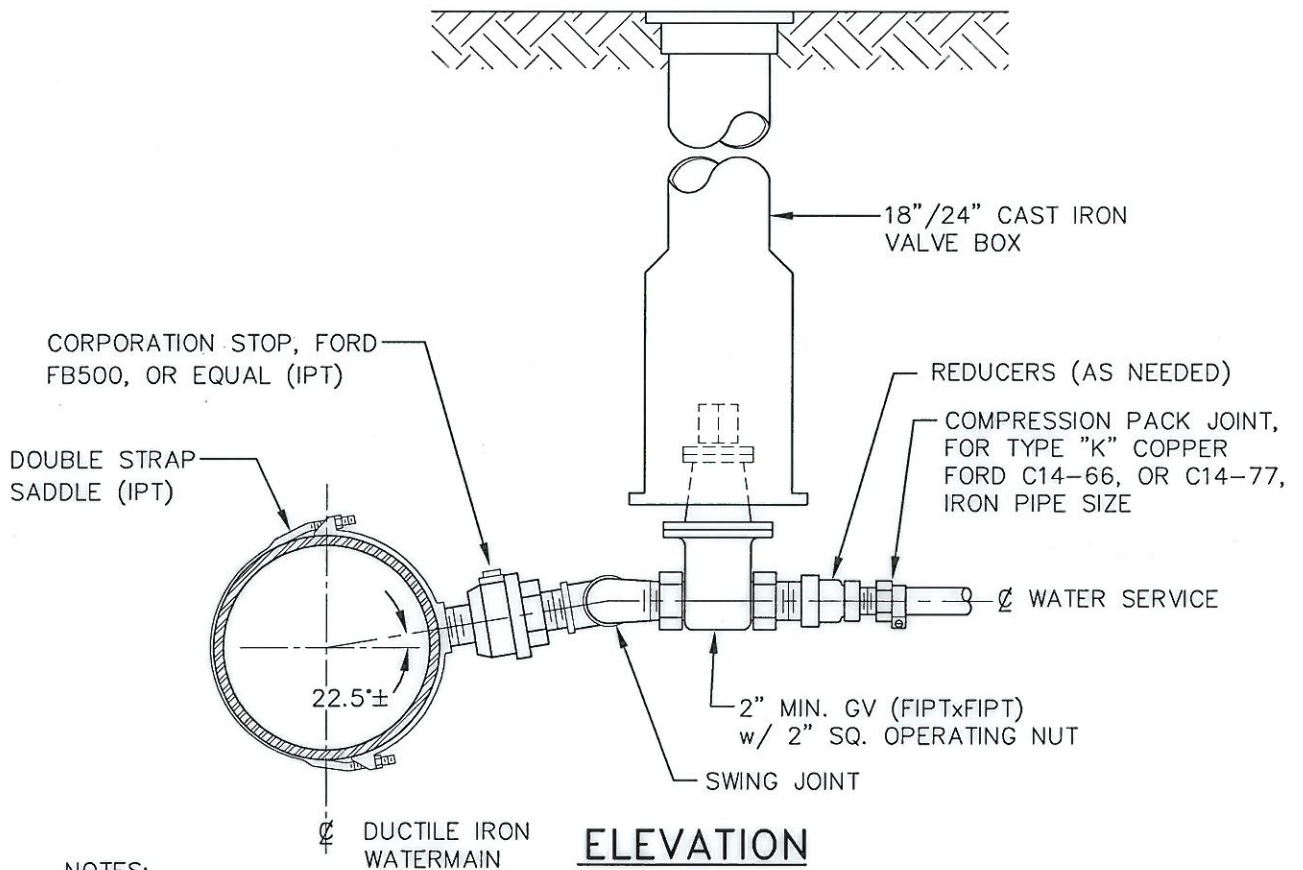


PLAN



ELEVATION

NOTES:

1. SERVICE LINE FITTINGS: ALL FITTINGS SHALL BE CAST FROM WATER WORKS BRASS CONFORMING TO AWWA C800.
2. MUNICIPAL SERVICE PIPE: COPPER TYPE "K"
3. LINE SIZING SHALL BE APPROVED BY DISTRICT.
4. SWING JOINT SHALL BE DOUBLE STREET ELBOWS OR 2 90° BENDS & NIPPLES.



Engineering Partners, LLC

2600 116th Avenue NE #100
Bellevue, Washington 98004
Tel 425.869.9448

**WATER SERVICE CONNECTION
1-1/2 INCH & LARGER**

PLOTTING DATE JAN. 2005	DRAWN DSH	CHECKED KRG	APPROVED <i>[Signature]</i>	DISTRICT T.N.H.
PLOTTING SCALE NTS: 1=1	FILE NAME F:\DETAILS\WD90\WATER\0021	DATE APPROVED 6-25-02		



WATER DISTRICT NO.90

DWG. NO. 21