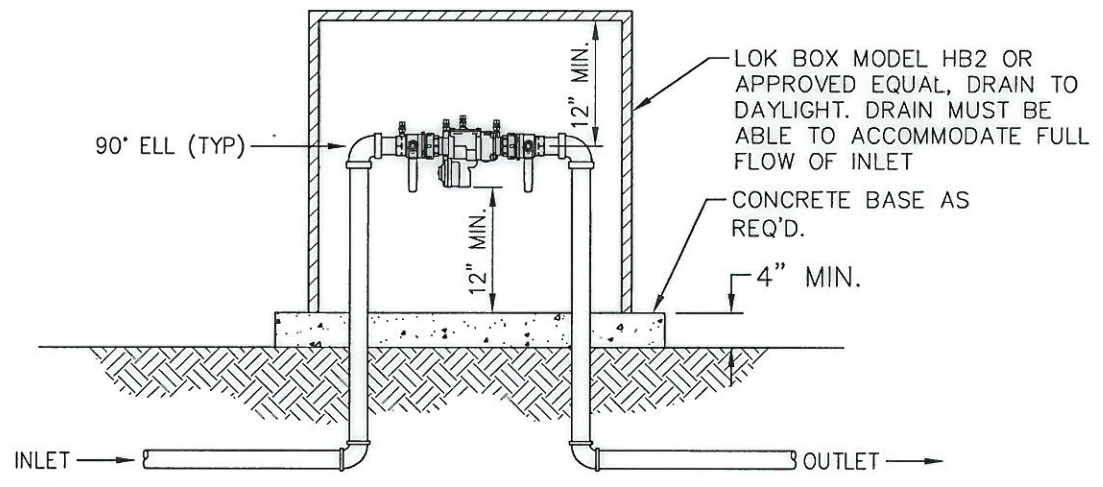


PLAN



ELEVATION

NOTE:
 DETERMINATION OF DCVA OR RPBA FOR CROSS CONNECTION CONTROL WILL BE MADE BY WD NO. 90 ON A CASE BY CASE BASIS.

RothHill
 Engineering Partners, LLC
 2600 116th Avenue NE #100
 Bellevue, Washington 98004
 Tel 425.869.9448

CROSS CONNECTION CONTROL-RPBA

WATER DISTRICT NO.90
 DWG. NO. 32

PLOTTING DATE JAN. 2005	DRAWN DSH	CHECKED	APPROVED <i>T.N.H.</i>	DISTRICT T.N.H.
PLOTTING SCALE NTS: 1=1	FILE NAME F:\DETAILS\WD90\WATER\0032	DATE APPROVED 2-03-05		