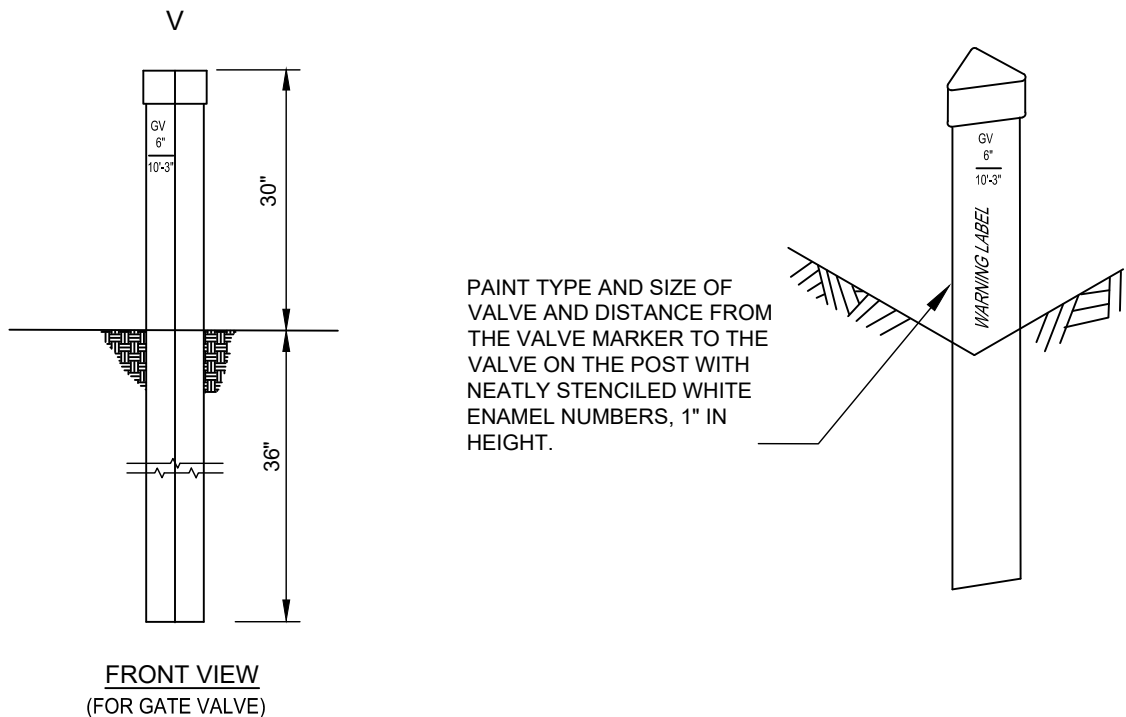


FIRE HYDRANT BOLLARD POST



VALVE MARKER POST

NOTES:

1. VALVE MARKERS TO BE USED FOR BLOW OFF AND MAINLINE VALVES OUTSIDE PAVED AREAS.
2. MARKER POSTS SHALL BE TRIVIEW FLEX 66 BLUE WITH WARNING LABEL



DAVID EVANS
AND ASSOCIATES INC.

STANDARD DETAIL

MARKER POST AND BOLLARD



KING COUNTY
WATER DISTRICT NO. 90

Rev. Date
2/16/22

DETAIL NO.

13