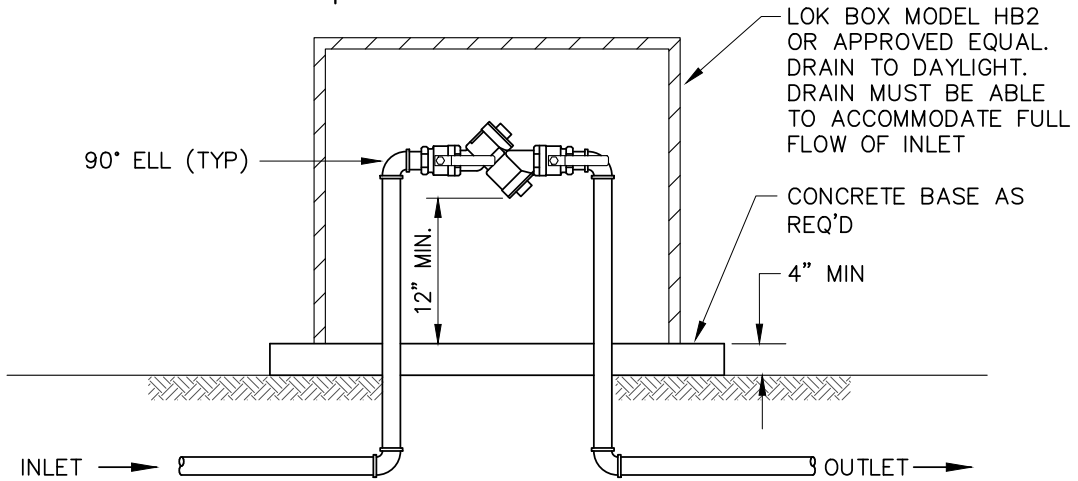


**PLAN**



**ELEVATION**

**NOTE:**

A REDUCED PRESSURE BACKFLOW ASSEMBLY (RPBA) IS OWNED AND MAINTAINED BY THE PROPERTY OWNER. THERE IS A STATE MANDATED REQUIREMENT FOR PERIODIC TESTING AND REPORTING TO BE PERFORMED BY THE OWNER, AS AN ONGOING CONDITION FOR WATER SERVICE. DETERMINATION OF DCVA OR RPBA FOR CROSS CONNECTION CONTROL WILL BE MADE BY THE DISTRICT ON A CASE BY CASE BASIS.



**STANDARD DETAIL**

**REDUCED PRESSURE BACKFLOW ASSEMBLY**



KING COUNTY WATER DISTRICT NO. 90

Rev. Date 11/12/21

DETAIL NO.

**22**