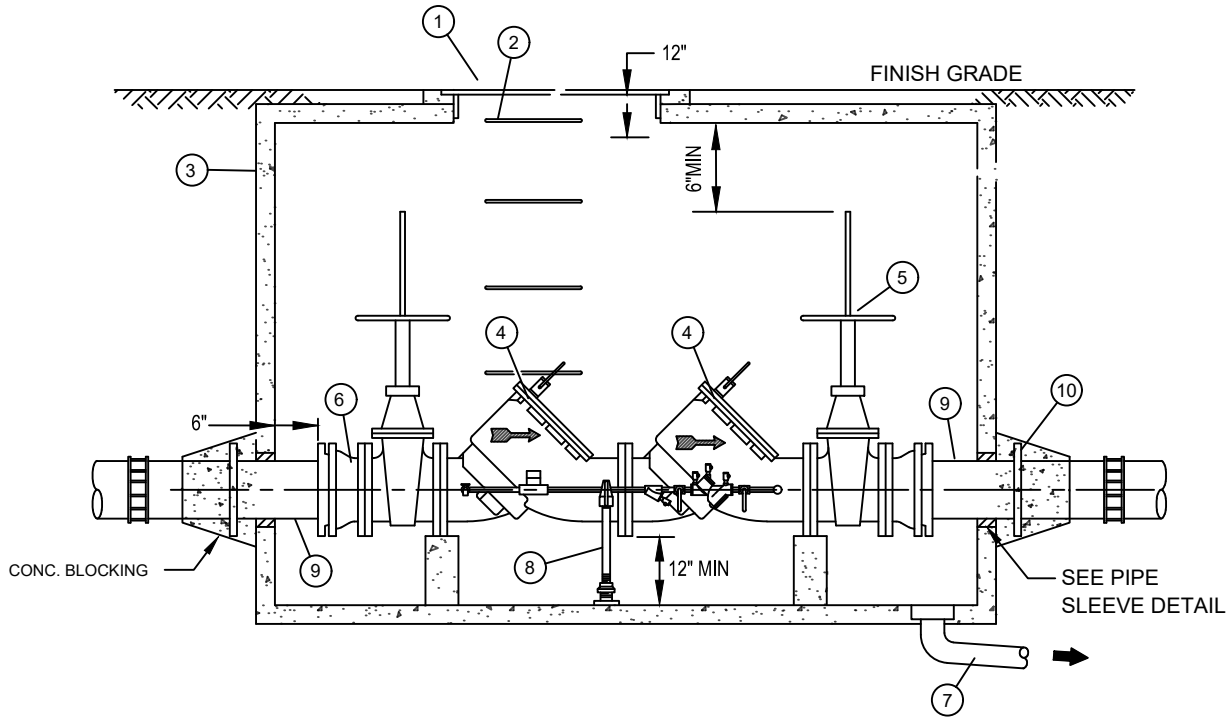
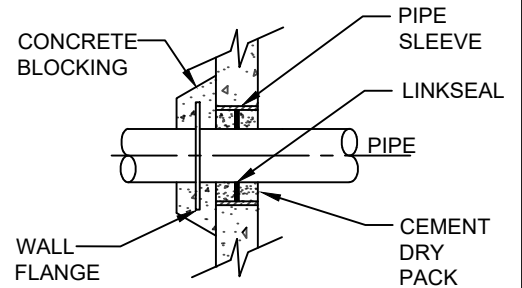


**PLAN**



**ELEVATION**



**PIPE SLEEVE DETAIL**

SEE SHEET 2 FOR ADDITIONAL  
NOTES AND MATERIALS

SHEET 1 OF 2



DAVID EVANS  
AND ASSOCIATES INC.

**STANDARD DETAIL**  
**DOUBLE DETECTOR CHECK**  
**VALVE BACKFLOW PREVENTION**  
**ASSEMBLY**



KING COUNTY  
WATER DISTRICT NO. 90

Rev. Date  
11/12/21

DETAIL NO.

**23**